

PRODUCT CODE: FCCP20
PVC FLEXIBLE CONDUIT

DESCRIPTION

20mm PVC Flexible Conduit - 10mtr Contractor Pack

FINISH

Black

MATERIAL

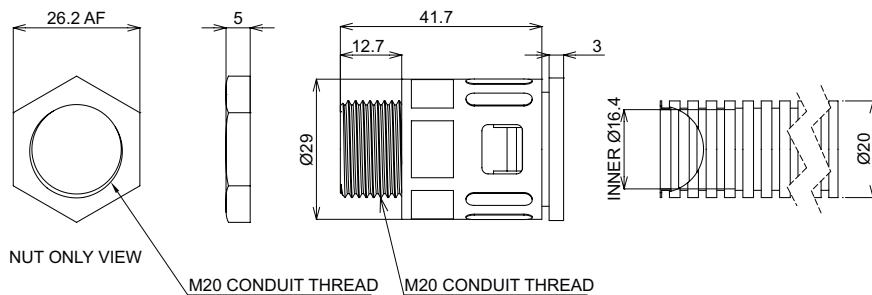
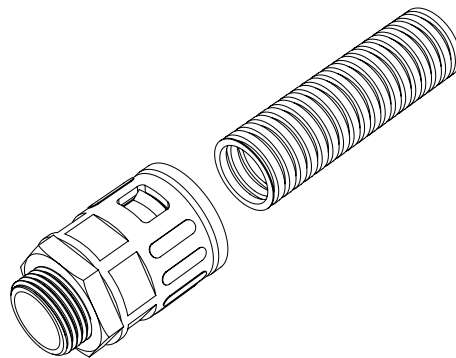
Self Extinguishing PVC

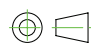
PACKAGING

Packed in qty 1

ADDITIONAL NOTES

IP40 Rated
Pack consists; 1 x 10mtr coil of PVC flexible conduit,
10 x 20mm PVC swivel adaptors
Temperature Range: -15°C to +60°C
Compression Class: 2 (320N)



 Values are nominal and with a general tolerance $\pm 5\%$ unless otherwise specified